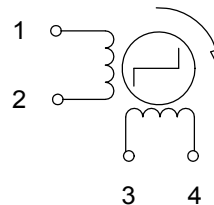
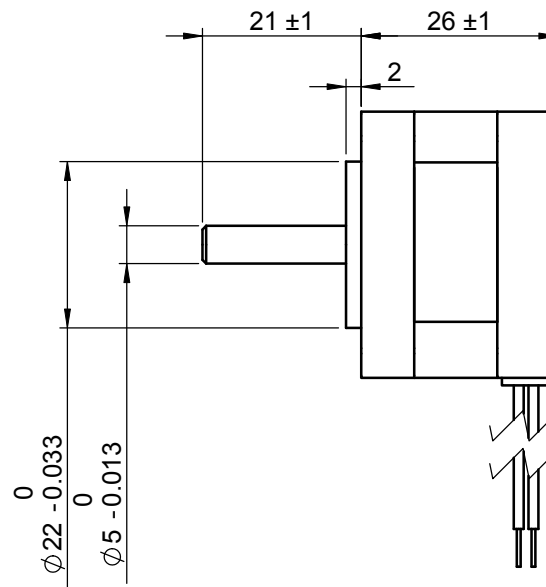


(此線徑為 UL1430 AWG26)



CONNECTOR PIN LOCATION					
PIN	COLOR	CCW ← → CW			
1	BLACK	+	-	-	+
2	GREEN	-	+	+	-
3	RED	+	+	-	-
4	BLUE	-	-	+	+

THIRD ANGLE PROJECTION ALL DIMENSION ARE IN MM (UNLESS OTHERWISE SPECIFIED)		製圖 設計 審核 材料 繪製比例: 1:1	JOANNE 2012/11/9	Cheshire Electric Company, LLC Part No JH35-C0G1A737 Name HB stepper motor		REV. NO. B
--	--	-----------------------------------	-------------------------	--	--	---------------

MODEL		Motor Characteristics					
JH35-C0G1A737		Resistance	Step Angle	Steps Revolution	Max PIT Rate	Max POT Rate	POT(at500pps)
Constant current	24V 0.4A	26Ω	1.8 °	200	1300PPS	2200PPS	940g-cm